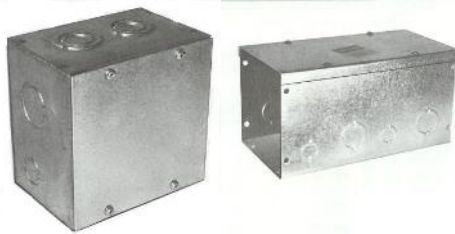


# **K & S METAL ENCLOSURES**



**ELECTRICAL BOX AND PANEL MFG. CO., I NC**

**873 EAST BALTIMORE PIKE #451**

**KENNETT SQUARE PA 19348**

**PHONE: (610) 998-1370 FAX: (610) 998-1379**

**[WWW.KSMETALENCLOSURES.COM](http://WWW.KSMETALENCLOSURES.COM)**



[www.ksmetalenclosures.com](http://www.ksmetalenclosures.com)

---

## **K & S METAL ENCLOSURES**

873 EAST BALTIMORE PIKE #451  
KENNETT SQUARE , PA 19348

Phone: 610-998-1370

Fax: 610-998-1379

[www.ksmetalenclosures.com](http://www.ksmetalenclosures.com)



## Table of Contents

Ordering and Product Information	Page 4
NEMA 1 Screw Cover and Hinge Cover Enclosures	Page 6
NEMA 1 Hinge Cover Boxes	Page 8
Optional Hardware	Page 10
NEMA 1 Screw Cover Wireway	Page 12
Fittings for SC & HC Wireway	Page 14
Type 3 Weather Proof Enclosures	Page 16
Type 3R Rain Tight Enclosures	Page 18
Type 3R Rain Tight HC Enclosures	Page 22
Current Transformer Cabinets	Page 24

**MANUFACTURING IN THE UNITED STATES FOR OVER 60 YEARS**

**TERMS AND CONDITIONS**

Galvanized boxes in stock for immediate delivery.

No return goods will be accepted unless authorized by the factory. Items returned to factory will incur a 30% restocking charge.

Special sizes and types of enclosures can be fabricated to the customers' specifications. Contact factory for quote. A minimum charge of \$160 applies on one special box. Special or made to order enclosures cannot be canceled and are not returnable.

**NOTES OF SPECIAL INTEREST**

When ordering boxes and cabinets, state the size as follows: Height, Width, Depth.

To expedite production please include the following information when ordering special boxes:

- Type- Hinge Cover (HC) or Screw Cover (SC)
- Mounting- Flush or Surface
- Knockouts- With (KO) or Without (NK)
- Hinged Side-First Dimension
- Width- Second Dimension
- Depth- Third Dimension
- Hardware- Specific locking or non-locking catch.
- Boxes greater than 8" or heavier than code gauge are normally furnished without knockouts, unless specified.

National Electrical Code Extract

NEMA Standards Publication 250-2008

**NEMA 1**—Enclosures are constructed for indoor use to provide protection to personnel against incidental contact with the enclosed equipment; to provide a degree of protection against falling dirt.

**NEMA 3**—Enclosures are constructed for either indoor or outdoor use to provide protection to personnel against incidental contact with the enclosed equipment; to provide protection against windblown dust.

**NEMA 3R**—Enclosures are constructed for either indoor or outdoor use to provide protection to personnel against incidental contact with the enclosed equipment; to provide protection against falling dirt, rain, sleet, and snow.

SPACING AND DIMENSIONS OF LOCK-NUTS AND K.O'S								
Diameter of Lock Nut "B"	Punch Diameter "C"	Nominal Conduit	Minimum Spacing of Knock-Outs "A" (SEE TABLE A)					
			1/2"	3/4"	1"	1 1/4"	1 1/2"	2"
1 1/8"	7/8"	1/2"	1 1/4"	1 7/16"	1 1/2"	1 11/16"	1 7/8"	2 1/8"
1 7/16"	1 1/8"	3/4"		1 9/16"	1 11/16"	1 7/8"	2"	2 5/16"
1 5/8"	1 3/8"	1"			1 3/4"	1 15/16"	2 1/8"	2 3/8"
2"	1 3/4"	1 1/4"				2 1/8"	2 5/16"	2 9/16"

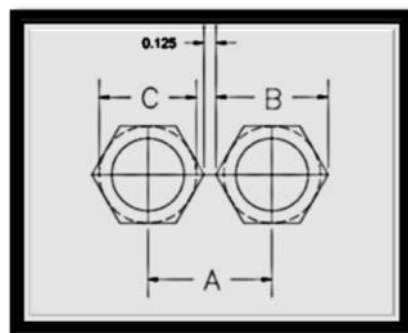
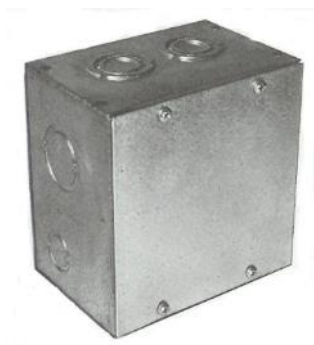


TABLE A

Conductor Table		
Wireway Size (inches)	Maximum Cable Size (AWG or MCM)	Allowable Cable Area (sq. in.)
2.5 x 2.5	2	1.2
4 x 4	4/0	3.2
4 x 6	4/0	4.8
6 x 6	500	7.2
8 x 8	500	12.8
10 x 10	1250	20.0
12 x 12	2000	28.8

Size and Number of conductors: No de-rating necessary when there are no more than 30 conductors and does not exceed 20% of any cross section (N.E.C. 362-4) (UL 870-6.1).

## TYPE 1 SCREW COVER BOXES



**TYPE 1 SURFACE SCREW  
COVER PULL BOXES**

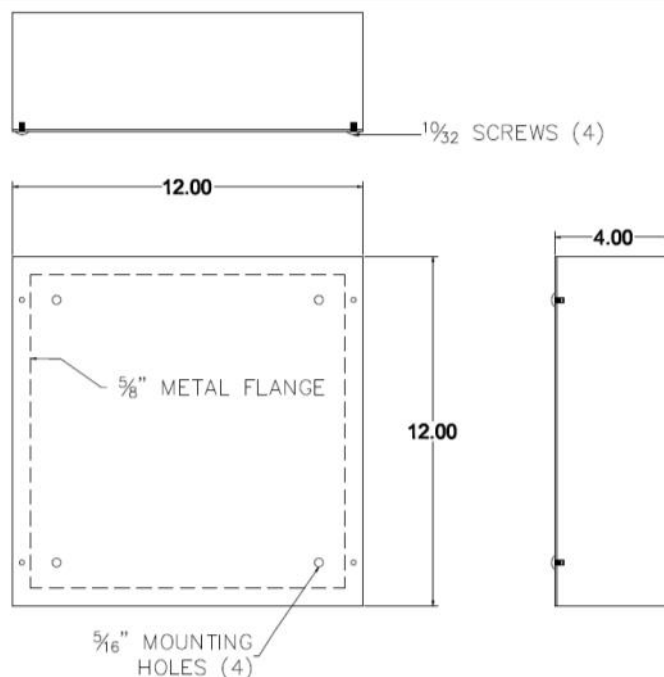
### APPLICATION

Used as wiring boxes, junction boxes and pull boxes.

Enclosures are constructed for indoor use to provide protection to personnel against incidental contact with the enclosed equipment and to provide a degree of protection against falling dirt (UL50 5.1.7, 2007).

### CONSTRUCTION

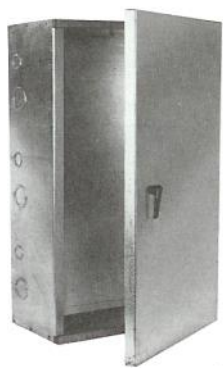
- Enclosures and covers are fabricated from galvanized steel.
- Covers secured to body with plated screws.
- Enclosures are available with or without knockouts, or flush mounted covers.
- All enclosures are manufactured to UL50 specifications and bear their label.
- Special sizes are available, call for a quote.



**TYPE 1 SCREW COVER BOXES**

Catalog Number	Size	Standard Bundle	Weight Per Bundle Lbs.	Catalog Number	Size	Standard Bundle	Weight Per Bundle Lbs.
040404SN	4x4x4	10	20	084848SN	48 x 48 x 8	1	120
040606SN	6 x 6 x 4	10	33	104848SN	48 x 48 x 10	1	150
040806SN	8 x 6 x 4	10	40	124848SN	48 x 48 x 12	1	165
040808SN	8 x 8 x 4	5	25	<b>WITH KNOCKOUTS</b>			
041008SN	10 x 8 x 4	5	30	040404SK	4x4x4	10	20
041010SN	10 x 10 x 4	5	33	040606SK	6 x 6 x 4	10	33
041210SN	12 x 10 x 4	5	35	040806SK	8 x 6 x 4	10	40
041212SN	12 x 12 x 4	5	43	040808SK	8 x 8 x 4	5	25
041515SN	15 x 15 x 4	1	10	041008SK	10 x 8 x 4	5	30
041616SN	16 x 16 x 4	1	10	041010SK	10 x 10 x 4	5	33
041812SN	18 x 12 x 4	3	30	041210SK	12 x 10 x 4	5	35
041818SN	18 x 18 x 4	2	34	041212SK	12 x 12 x 4	5	43
042424SN	24 x 24 x 4	1	30	041515SK	15 x 15 x 4	1	10
043030SN	30 x 30 x 4	1	40	041616SK	16 x 16 x 4	1	10
060606SN	6 x 6 x 6	6	26	041812SK	18 x 12 x 4	3	30
060808SN	8 x 8 x 6	3	18	041818SK	18 x 18 x 4	2	34
061008SN	10 x 8 x 6	3	8	042424SK	24 x 24 x 4	1	30
061010SN	10 x 10 x 6	3	25	043030SK	30 x 30 x 4	1	40
061208SN	12 x 8 x 6	3	25	060606SK	6 x 6 x 6	6	26
061210SN	12 x 10 x 6	3	11	060808SK	8 x 8 x 6	3	18
061212SN	12 x 12 x 6	3	30	061008SK	10 x 8 x 6	3	8
061515SN	15 x 15 x 6	1	15	061010SK	10 x 10 x 6	3	25
061616SN	16 x 16 x 6	1	18	061208SK	12 x 8 x 6	3	25
061812SN	18 x 12 x 6	2	30	061210SK	12 x 10 x 6	3	11
061818SN	18 x 18 x 6	2	36	061212SK	12 x 12 x 6	3	30
062020SN	20 x 20x 6	1	16	061515SK	15 x 15 x 6	1	15
062418SN	24 x 18 x 6	1	28	061616SK	16 x 16 x 6	1	18
062424SN	24 x 24 x 6	1	35	061812SK	18 x 12 x 6	2	30
063030SN	30 x 30 x 6	1	57	061818SK	18 x 18 x 6	2	36
063636SN	36 x 36 x 6	1	77	062020SK	20 x 20x 6	1	16
081212SN	12 x 12 x 8	2	24	062418SK	24 x 18 x 6	1	28
081812SN	18 x 12 x 8	1	18	062424SK	24 x 24 x 6	1	35
081818SN	18 x 18 x 8	2	44	063030SK	30 x 30 x 6	1	57
082020SN	20 x 20 x 8	1	45	063636SK	36 x 36 x 6	1	77
082418SN	24 x 18 x 8	1	33	081212SK	12 x 12 x 8	2	24
082424SN	24 x 24 x 8	1	40	081812SK	18 x 12 x 8	1	18
083030SN	30 x 30 x 8	1	60	081818SK	18 x 18 x 8	2	44
083636SN	36 x 36 x 8	1	100	082020SK	20 x 20 x 8	1	45
101212SN	12 x 12 x 10	3	10	082418SK	24 x 18 x 8	1	33
101818SN	18 x 18 x 10	1	24	082424SK	24 x 24 x 8	1	40
102424SN	24 x 24 x 10	1	45	083030SK	30 x 30 x 8	1	60
103030SN	30 x 30 x 10	1	62				
103636SN	36 x 36 x 10	1	95				
121212SN	12 x 12 x 12	2	15				
121818SN	18 x 18 x 12	1	25				
122424SN	24 x 24 x 12	1	50				
123030SN	30 x 30 x 12	1	70				
123636SN	36 x 36 x 12	1	124				

## TYPE 1 HINGE COVER BOXES



**TYPE 1 HINGE COVER BOX  
WITH KNOCKOUTS AND  
HANDLE**

### APPLICATION

Used as wiring boxes, junction boxes, and pull boxes.

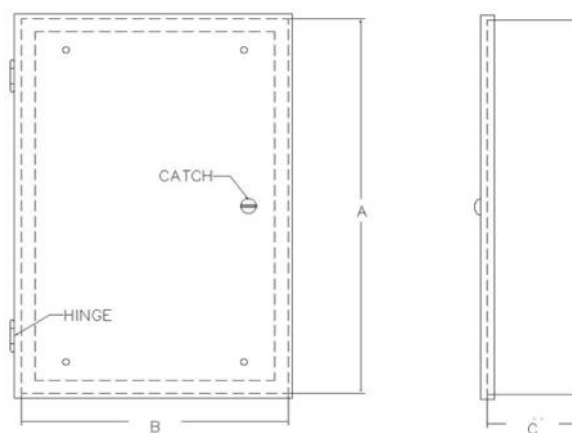
Enclosures are constructed for indoor use to provide protection to personnel against incidental contact with the enclosed equipment and to provide a degree of protection against falling dirt (UL50 5.1.7, 2007).

### CONSTRUCTION

- Enclosures and covers are fabricated from galvanized steel.
- Enclosures are available with or without knockouts.
- All enclosures are manufactured to UL50 specifications and bear their label.
- Special sizes are available, call for a quote.
- Boxes are hinged along the left hand long side unless specified.
- Plated butt hinges are standard.
- Flush Slot Latch assembly standard or specify hardware listed on page 10.



Small NEMA 1  
Hinge Cover Box



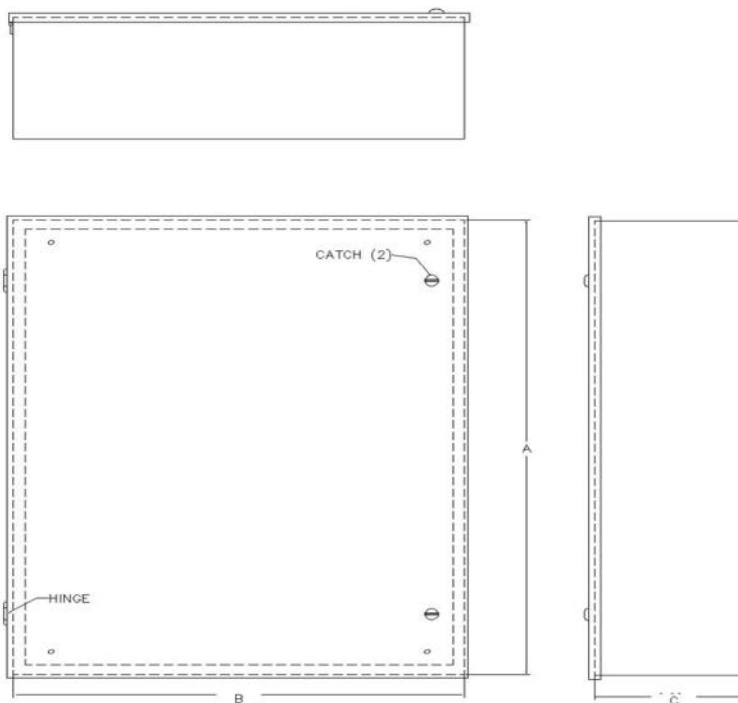


SMALL NEMA 1 HINGE COVER BOXES W/O KNOCKOUTS			
Part #	Size	Standard Bundle	Weight/Lbs
040404HN	4x4x4	10	20
040606HN	6 x 6 x 4	10	33
040806HN	8 x 6 x 4	10	40
040808HN	8 x 8 x 4	5	25
041008HN	10 x 8 x 4	5	30
041010HN	10 x 10 x 4	5	33
041210HN	12 x 10 x 4	5	35
041212HN	12 x 12 x 4	5	43
060606HN	6 x 6 x 6	6	26
060808HN	8 x 8 x 6	3	18
061008HN	10 x 8 x 6	3	8
061010SHN	10 x 10 x 6	3	25
061208HN	12 x 8 x 6	3	25
061210HN	12 x 10 x 6	3	11
061212HN	12 x 12 x 6	3	30
081212HN	12 x 12 x 8	2	24
101212HN	12 x 12 x 10	3	10
121212HN	12 x 12 x 12	2	15

SMALL NEMA 1 HINGE COVER BOXES W/ KNOCKOUTS			
Part #	Size	Standard Bundle	Weight/Lbs
040404HK	4x4x4	10	20
040606HK	6 x 6 x 4	10	33
040806HK	8 x 6 x 4	10	40
040808HK	8 x 8 x 4	5	25
041008HK	10 x 8 x 4	5	30
041010HK	10 x 10 x 4	5	33
041210HK	12 x 10 x 4	5	35
041212HK	12 x 12 x 4	5	43
060606HK	6 x 6 x 6	6	26
060808HK	8 x 8 x 6	3	18
061008HK	10 x 8 x 6	3	8
061010SHK	10 x 10 x 6	3	25
061208HK	12 x 8 x 6	3	25
061210HK	12 x 10 x 6	3	11
061212HK	12 x 12 x 6	3	30
081212HK	12 x 12 x 8	2	24

Panel Chart	
Catalog Number	Used With This Size Box
66BP	6 x 6
86BP	8 x 6
88BP	8 x 8
108BP	10 x 8
1010BP	10 x 10
128BP	12 x 8
1210BP	12 x 10
1212BP	12 x 12
1515BP	15 x 15
1616BP	16 x 16
1812BP	18 x 12
1818BP	18 x 18
2020BP	20 x 20
2418BP	24 x 18
2424BP	24 x 24
3030BP	30 x 30
3636BP	36 x 36

## LARGE TYPE 1 HINGE COVER BOXES



Large NEMA 1  
Hinge Cover Box

### Optional Hardware for Hinge Cover Boxes



**FLUSH SLOT LATCH ASSEMBLY**  
Part # S61-10-6-0  
(STANDARD LATCH)



**LOCKING DISC TUMBLER**  
Part #: 15751



**PAD LOCKABLE HANDLE  
WITH 3 POINT CATCH**  
Part # 73NS55



**QTR. TURN KNOB**  
Part # 61-10-102-11



**TEE HANDLE**  
Specify Locking or Non-locking  
Part #: 15766



**COMPRESSION SPRING  
CATCH**  
Part # HC2027ZN

**LARGE NEMA 1 HINGE COVER BOXES W/O KNOCKOUTS**

Part #	Size	Standard Bundle	Weight/Lbs
041616HN	16 x 16 x 4	1	10
041812HN	18 x 12 x 4	2	30
041818HN	18 x 18 x 4	2	34
042424HN	24 x 24 x 4	1	30
043030HN	30 x 30 x 4	1	40
061616HN	16 x 16 x 6	1	18
061812HN	18 x 12 x 6	2	30
061818HN	18 x 18 x 6	2	36
062020HN	20 x 20 x 6	1	16
062418HN	24 x 18 x 6	1	28
062424HN	24 x 24 x 6	1	35
063024HN	30 x 24 x 6	1	40
063030HN	30 x 30 x 6	1	57
081812HN	18 x 12 x 8	1	18
081818HN	18 x 18 x 8	2	44
082020HN	20 x 20 x 8	1	45
082418HN	24 x 18 x 8	1	33
082424HN	24 x 24 x 8	1	40
083024HN	30 x 24 x 8	1	50
083030HN	30 x 30 x 8	1	60
083624HM	36 x 24 x 8	1	68
101818HN	18 x 18 x 10	1	24
102424HN	24 x 24 x 10	1	45
103024HN	30 x 24 x 10	1	52
103030HN	30 x 30 x 10	1	62
103624HN	36 x 24 x 10	1	72
121818HN	18 x 18 x 12	1	25
122424HN	24 x 24 x 12	1	50
123024HN	30 x 24 x 12	1	60
123030HN	30 x 30 x 12	1	70
123624HN	36 x 24 x 12	1	80

**LARGE NEMA 1 HINGE COVER BOXES W/ KNOCKOUTS**

Part #	Size	Standard Bundle	Weight/Lbs
041515HK	15 x 15 x 4	1	10
041616HK	16 x 16 x 4	1	10
041812HK	18 x 12 x 4	3	30
041818HK	18 x 18 x 4	2	34
042424HK	24 x 24 x 4	1	30
043030HK	30 x 30 x 4	1	40
061515HK	15 x 15 x 6	1	18
061616HK	16 x 16 x 6	1	18
061812HK	18 x 12 x 6	2	30
061818HK	18 x 18 x 6	2	36
062020HK	20 x 20 x 6	1	16
062418HK	24 x 18 x 6	1	28
062424HK	24 x 24 x 6	1	35
063024HK	30 x 24 x 6	1	40
063030HK	30 x 30 x 6	1	57
081812HK	18 x 12 x 8	1	18
081818HK	18 x 18 x 8	2	44
082020HK	20 x 20 x 8	1	45
082418HK	24 x 18 x 8	1	33
082424HK	24 x 24 x 8	1	40
083024HK	30 x 24 x 8	1	50
083030HK	30 x 30 x 8	1	60

## TYPE 1 SCREW COVER WIREWAY

### APPLICATION

Protects and contains runs of control and power cable.

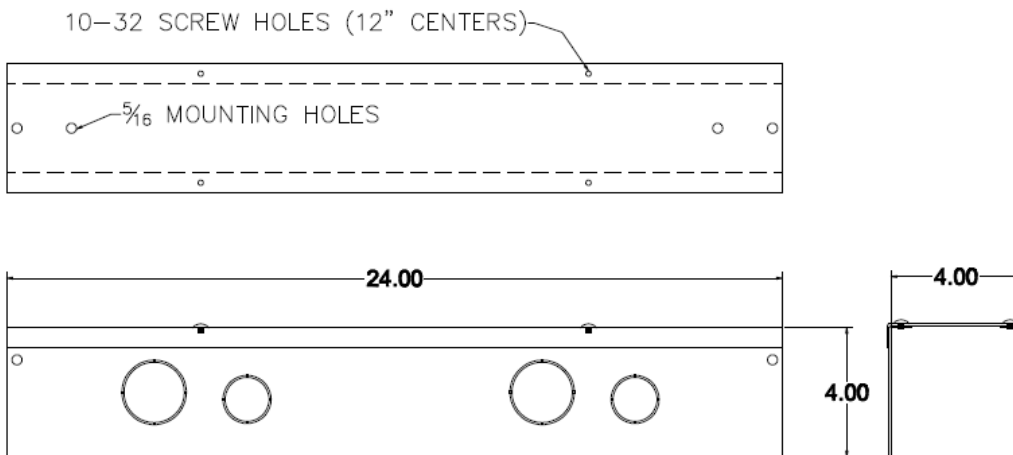
Used for cable and wire junction, distribution and termination.

### CONSTRUCTION

- Wireway body and cover are fabricated from galvanized steel.
- Wireway body has mounting holes on back.
- Cover is secured to the body with plated screws.
- Flush and surface wireway covers are available.
- Lengths greater than 8' are furnished with a two piece overlapping cover.
- Variety of fittings which allows runs to change direction, junction and terminate.
- Universal connectors will facilitate connection to any other manufactures wireway.
- Wireway available with or without knockouts. Widths 10" or greater are furnished without knockouts.
- Hinge cover wireway is completely interchangeable with screw cover wireway.
- UL 870 Listed, NEMA Type 1.



Screw Cover Wireway with Knockouts




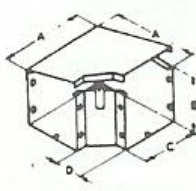
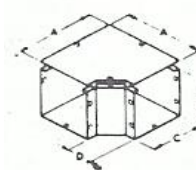
**TYPE 1 SCREW COVER WIREWAY**

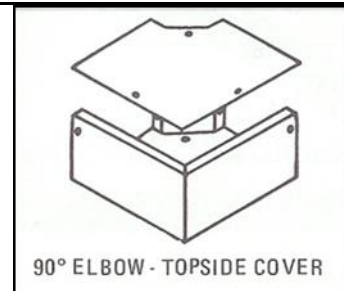
<b>Cat. No.</b>	<b>Size</b>	<b>Description</b>	<b>Wt. Lbs.</b>	<b>Cat. No.</b>	<b>Size</b>	<b>Description</b>	<b>Wt. Lbs.</b>
2512TSNK	2 1/2 x 21/2 x 1'	Wireway	2.5	8812TSNK	8 x 8 x 1'	Wireway	9
2524TSNK	2 1/2 x 21/2 x 2'	Wireway	5	8824TSNK	8 x 8 x 2'	Wireway	18
2536TSNK	2 1/2 x 21/2 x 3'	Wireway	7.5	8836TSNK	8 x 8 x 3'	Wireway	27
2548TSNK	2 1/2 x 21/2 x 4'	Wireway	10	8848TSNK	8 x 8 x 4'	Wireway	36
2560TSNK	2 1/2 x 21/2 x 5'	Wireway	12.5	8860TSNK	8 x 8 x 5'	Wireway	45
2572TSNK	2 1/2 x 21/2 x 6'	Wireway	15	8872TSNK	8 x 8 x 6'	Wireway	54
25120TSNK	2 1/2 x 21/2 x 10'	Wireway	25	8896TSNK	8 x 8 x 8'	Wireway	75
4412TSNK	4x4x1'	Wireway	4	88120TSNK	8 x 8 x 10'	Wireway	90
4424TSNK	4x4x2'	Wireway	8	101012TSNK	10 x 10 x 1'	Wireway	12
4436TSNK	4x4x3'	Wireway	12	101024TSNK	10 x 10 x 2'	Wireway	24
4448TSNK	4x4x4'	Wireway	16	101036TSNK	10 x 10 x 3'	Wireway	36
4460TSNK	4x4x5'	Wireway	20	101048TSNK	10 x 10 x 4'	Wireway	48
4472TSNK	4x4x6'	Wireway	24	101060TSNK	10 x 10 x 5'	Wireway	60
4496TSNK	4x4x8'	Wireway	32	101072TSNK	10 x 10 x 6'	Wireway	72
44120TSNK	4x4x10'	Wireway	40	101096TSNK	10 x 10 x 8'	Wireway	96
6612TSNK	6x6x1	Wireway	6	1010120TSNK	10 x 10 x 10'	Wireway	120
6624TSNK	6x6x2'	Wireway	12	121212TSNK	12 x 12 x 1'	Wireway	15
6636TSNK	6x6x3'	Wireway	18	121224TSNK	12 x 12 x 2'	Wireway	30
6648TSNK	6x6x4'	Wireway	24	121236TSNK	12 x 12 x 3'	Wireway	45
6660TSNK	6x6x5'	Wireway	30	121248TSNK	12 x 12 x 4'	Wireway	60
6672TSNK	6x6x6'	Wireway	36	121260TSNK	12 x 12 x 5'	Wireway	75
6696TSNK	6x6x8'	Wireway	45	121272TSNK	12 x 12 x 6'	Wireway	90
66120TSNK	6x6x10'	Wireway	60	121296TSNK	12 x 12 x 8'	Wireway	110
				1212120TSNK	12 x 12 x 10'	Wireway	150

**SCREW COVER WIREWAY**

**FITTINGS FOR SCREW COVER AND HINGED COVER WIREWAY**

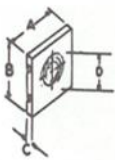
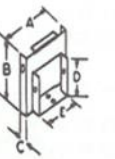

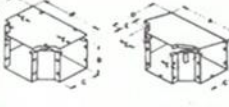



	Size	Catalog Number	Dimensions				
			A	B	C	D	E
 <p><b>45° ELBOW</b></p>	2 1/2 x 2 1/2	252545ELL	2 1/2	2 1/2	9 1/4	3	7 1/4
	2 1/2 x 2 1/2	252545ELLTOP	2 1/2	2 1/2	9 1/4	3	7 1/4
	4 X 4	4445ELL	4	4	7 3/8	6 1/8	5 1/8
	4 X 4	4445ELLTOP	4	4	7 3/8	6 1/8	5 1/8
	6 X 6	6645ELL	6	6	11	8 1/8	6 1/2
	6 X6	6645ELLTOP	6	6	11	8 1/8	6 1/2
	8 X 8	8845ELL	8	8	14 3/4	10 1/8	8 1/2
	8 X 8	8845ELLTOP	8	8	14 3/4	10 1/8	8 1/2
	10 X 10	101045ELL	10	10	20	13 1/8	10 1/2
	10 X 10	101045ELLTOP	10	10	20	13 1/8	10 1/2
	12 X 12	121245ELL	12	12	17 3/4	15 1/8	7
	12 X 12	121245ELLTOP	12	12	17 3/4	15 1/8	7

Inside 90 Elbow 	2 1/2 x 2 1/2	252590ELL	5 1/2	2 1/2	2 1/2	3
	2 1/2 x 2 1/2	252590ELLTOP	5 1/2	2 1/2	2 1/2	3
Top Side 90 Elbow 	4 X 4	4490ELL	7	4	4	3
	4 X 4	4490ELLTOP	7	4	4	3
	6 X 6	6690ELL	10 1/2	6	6	4 1/2
	6 X6	6690ELLTOP	10 1/2	6	6	4 1/2
	8 X 8	8890ELL	14	8	8	5 1/2
	8 X 8	8890ELLTOP	14	8	8	5 1/2
	10 X 10	101090ELL	13	10	10	5 1/2
	10 X 10	101090ELLTOP	13	10	10	5 1/2
	12 X 12	121290ELL	15	12	12	5 1/2
	12 X 12	121290ELLTOP	15	12	12	5 1/2



**SCREW COVER WIREWAY**

**FITTINGS FOR SCREW COVER AND HINGED COVER WIREWAY**

	Size	Catalog Number	Dimensions				
			A	B	C	D	E
 <b>ENDWALL</b>	2 1/2 x 2 1/2	2525EP	2 1/2	2 1/2	5/8	7/8 & 1 1/8	1 1/4
	4 x 4	44EP	4	4	5/8	7/8 & 1 1/8	2
	6 x 6	66P	6	6	5/8	7/8 & 1 1/8	3
	8 x 8	88EP	8	8	5/8		
	10 x 10	1010EP	10	10 1/16	5/8		
	12 x 12	1212EP	12	12 1/16	5/8		
 <b>OFFSET REDUCER</b>	2 1/2 x 2 1/2	2525R					
	4 x 4	44R	4	4	5/8	2 1/2	2 1/2
	6 x 6	66R	6	6	5/8	4	4
	8 x 8	88R	8	8	5/8	6	6
	10 x 10	1010R	10	10	5/8	7 3/8	8
	12 x 12	1212R	12	12	5/8	9 3/4	10
 <b>UNIVERSAL HANGER</b>	4 x 4	44UH	2 1/2	3 1/4	11 1/2	4 1/4	
	6 x 6	66UH	2 1/2	5 1/4	15	4 1/4	
	8 x 8	88UH	2 1/2	7 1/4	17	4 1/4	
 <b>TEE</b>	2 1/2 x 2 1/2	2525TEE	8 1/2	2 1/2	2 1/2	5 1/2	3
	4 x 4	44TEE	10	4	4	7	4 1/2
	6 x 6	66TEE	15	6	6	10 1/2	3
	8 x 8	88TEE	20	8	8	14	6
	10 x 10	1010TEE	30	10	10	20 1/8	10
	12 x 12	1212TEE	36	12	12	24 1/8	12
 <b>CROSS</b>	2 1/2 x 2 1/2	2525X	8 1/2	2 1/2	2 1/2	3	
	4 x 4	44X	10	4	4	2 1/2	
	6 x 6	66X	15	6	6	4	
	8 x 8	88X	20	8	8	6	
	10 x 10	1010X	29 3/4	10	10	10	
	12 x 12	1212X	36	12	12	12	
 <b>ADAPTER</b>	2 1/2 x 2 1/2	2525PA	2 1/2	2 1/2	5/8		
	4 x 4	44PA	4	4	5/8		
	6 x 6	66PA	6	6	5/8		
	8 x 8	88PA	8	8	5/8		
	10 x 10	1010PA	10	9 7/8	23/32		
	12 x 12	1212PA	12	11 7/8	23/32		
 <b>"U" CONNECTION</b>	2 1/2 x 2 1/2	2525UC	2 1/2	2 1/2	1 3/4		
	4 x 4	44UC	4	5	1 3/4		
	6 x 6	66UC	6	6	1 3/4		
	8 x 8	88UC	8	8	1 3/4		
	10 x 10	1010UC	9 7/8	10	1 3/4		
	12 x 12	1212UC	11 7/8	12	1 3/4		

## TYPE 1 HINGE COVER WIREWAY

### APPLICATION

Protects and contains runs of control and power cable.

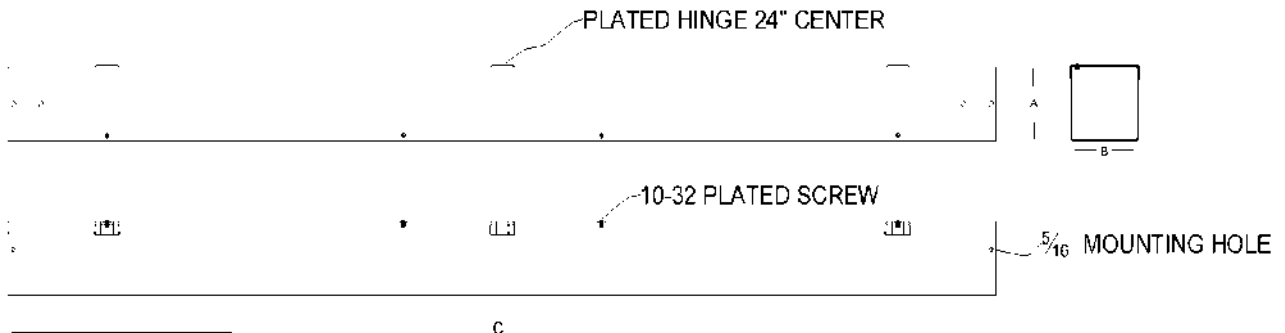
Used for cable and wire junction, distribution and termination.

### CONSTRUCTION

- Wireway body and cover are fabricated from galvanized steel.
- Wireway body has mounting holes on back.
- Cover is secured to the body with plated screws, and welded hinges
- Flush and surface wireway covers are available.
- Variety of fittings which allows runs to change direction, junction and terminate.
- Universal connectors will facilitate connection to any other manufactures wireway.
- Wireway available with or without knockouts. Widths 10" or greater are furnished without knockouts.
- Hinge cover wireway is completely interchangeable with screw cover wireway.
- UL 870 Listed, NEMA Type 1.



Hinge Cover Trough  
with Knockouts;  
Also available  
without Knockouts





**TYPE 1 HINGE COVER WIREWAY**

<b>HINGE COVER WIREWAY WITH KNOCKOUTS</b>		
<b>Part #</b>	<b>Description</b>	<b>Weight lbs.</b>
2512HKTK	2 1/2 x 2 1/2 x 1'	2
2524HKTK	2 1/2 X 2 1/2 X 2'	5
2536HKTK	2 1/2 X 2 1/2 X 3'	7.5
2548HKTK	2 1/2 X 2 1/2 X 4'	10
2560HKTK	2 1/2 X 2 1/2 X 5'	12.5
2572HKTK	2 1/2 X 2 1/2 X 6'	15
25120HKTK	2 1/2 X 2 1/2 X 10'	25
4412HKTK	4 X 4 X 1'	4
4424HKTK	4 X 4 X 2'	8
4436HKTK	4 X 4 X 3'	12
4448HKTK	4 X 4 X 4'	16
4460HKTK	4 X 4 X 5'	20
4472HKTK	4 X 4 X 6'	24
4496HKTK	4 X 4 X 8'	32
44120HKTK	4 X 4 X 10'	40
6612HKTK	6 X 6 X 1'	6
6624HKTK	6 X 6 X 2'	12
6636HKTK	6 X 6 X 3'	18
6648HKTK	6 X 6 X 4'	24
6660HKTK	6 X 6 X 5'	30
6672HKTK	6 X 6 X 6'	36
6696HKTK	6 X 6 X 8'	45
66120HKTK	6 X 6 X 10'	60
8812HKTK	8 X 8 X 1'	9
8824HKTK	8 X 8 X 2'	18
8836HKTK	8 X 8 X 3'	27
8848HKTK	8 X 8 X 4'	36
8860HKTK	8 X 8 X 5'	45
8872HKTK	8 X 8 X 6'	54
8896HKTK	8 X 8 X 8'	75
88120HKTK	8 X 8 X 10'	90

<b>HINGE COVER WIREWAY NO KNOCK-OUTS</b>		
<b>Part #</b>	<b>Description</b>	<b>Weight lbs.</b>
2512HKTN	2 1/2 x 2 1/2 x 1'	2.5
2524HKTN	2 1/2 X 2 1/2 X 2'	5
2536HKTN	2 1/2 X 2 1/2 X 3'	7.5
2548HKTN	2 1/2 X 2 1/2 X 4'	10
2560HKTN	2 1/2 X 2 1/2 X 5'	12.5
2572HKTN	2 1/2 X 2 1/2 X 6'	15
25120HKTN	2 1/2 X 2 1/2 X 10'	25
4412HKTN	4 X 4 X 1'	4
4424HKTN	4 X 4 X 2'	8
4436HKTN	4 X 4 X 3'	12
4448HKTN	4 X 4 X 4'	16
4460HKTN	4 X 4 X 5'	20
4472HKTN	4 X 4 X 6'	24
4496HKTN	4 X 4 X 8'	32
44120HKTN	4 X 4 X 10'	40
6612HKTN	6 X 6 X 1'	6
6624HKTN	6 X 6 X 2'	12
6636HKTN	6 X 6 X 3'	18
6648HKTN	6 X 6 X 4'	24
6660HKTN	6 X 6 X 5'	30
6672HKTN	6 X 6 X 6'	36
6696HKTN	6 X 6 X 8'	45
66120HKTN	6 X 6 X 10'	60
8812HKTN	8 X 8 X 1'	9
8824HKTN	8 X 8 X 2'	18
8836HKTN	8 X 8 X 3'	27
8848HKTN	8 X 8 X 4'	36
8860HKTN	8 X 8 X 5'	45
8872HKTN	8 X 8 X 6'	54
8896HKTN	8 X 8 X 8'	75
88120HKTN	8 X 8 X 10'	90
101012HKTN	10 X 10 X 1'	12
101024HKTN	10 X 10 X 2'	24
101036HKTN	10 X 10 X 3'	36
101048HKTN	10 X 10 X 4'	48
101060HKTN	10 X 10 X 5'	60
101072HKTN	10 X 10 X 6'	72
101096HKTN	10 X 10 X 8'	96
1010120HKTN	10 X 10 X 10'	120
121212HKTN	12 X 12 X 1'	15
121224HKTN	12 X 12 X 2'	30
121236HKTN	12 X 12 X 3'	45
121248HKTN	12 X 12 X 4'	60
121260HKTN	12 X 12 X 5'	75
121272HKTN	12 X 12 X 6'	90
121296HKTN	12 X 12 X 8'	110
1212120HKTN	12 X 12 X 10'	150

## TYPE NEMA 3 WEATHER PROOF ENCLOSURES

### APPLICATION

Used as wiring boxes, junction boxes, and pull boxes.

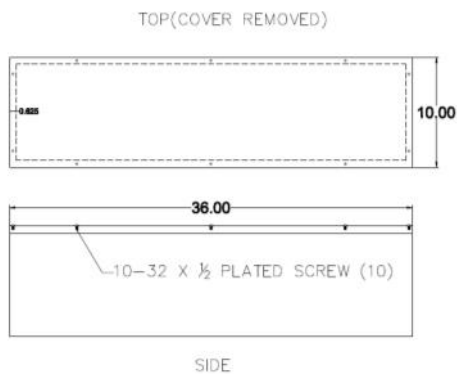
Type 3 enclosures are constructed for either indoor or outdoor use to provide protection to personnel against incidental contact with the enclosed equipment; to provide protection against falling dirt, rain, sleet, snow, and windblown dust; and will be undamaged by the external formation of ice on the enclosure (UL 50 5.1.7, 2007).



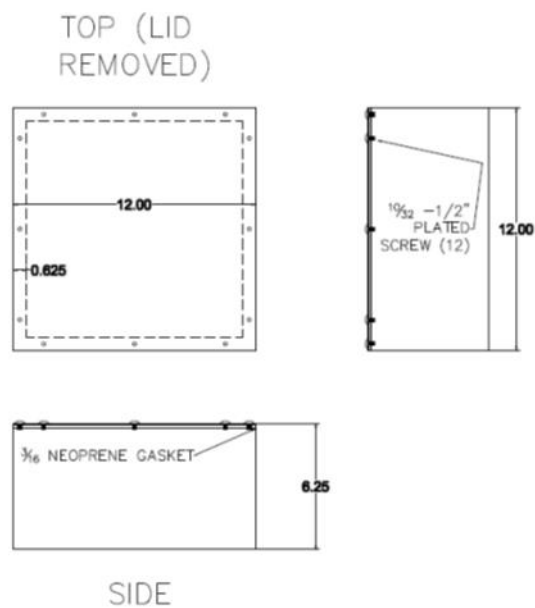
Weather Proof Screw Cover Trough

### CONSTRUCTION

- Enclosure and cover are fabricated from galvanized steel.
- All continuous welded seams are finished smooth.
- Enclosure standard without knockouts or mounting holes.
- Cover is equipped with oil and water resistant gasket.



Weather Proof Screw Cover Trough



Weather Proof Screw Cover Box

**TYPE NEMA 3 WEATHER PROOF BOXES AND TROUGH**

Weather Proof Seam Welded Boxes			Weather Proof Seam Welded Wire Way		
Catalog Number	Size	Weight	Catalog Number	Size	Weight
040404WP	4x4x4	1	120404TWP	4x4x12	4
040606WP	6x6x4	3.5	240404TWP	4x4x24	8
040608WP	6x8x4	4	360404TWP	4x4x36	12
040808WP	8x8x4	5	480404TWP	4x4x48	16
041008WP	10x8x4	6	600404TWP	4x4x60	20
041010WP	10x10x4	6.5	720404TWP	4x4x72	24
041208WP	12x8x4	7	120606TWP	6x6x12	6
041210WP	12x10x4	7.5	240606TWP	6x6x24	12
041212WP	12x12x4	8.6	360606TWP	6x6x36	18
041515WP	15x15x4	10	480606TWP	6x6x48	24
041812WP	18x12x4	10	600606TWP	6x6x60	30
041818WP	18x18x4	11	720606TWP	6x6x72	36
060606WP	6x6x6	4.5	1200808TWP	8x8x120	90
060608WP	6x8x6	2.6	120808TWP	8x8x12	18
060808WP	8x8x6	9	240808TWP	8x8x24	27
061010WP	10x10x6	8.5	360808TWP	8x8x36	36
061206WP	12x6x6	5	480808TWP	8x8x48	36
061208WP	12x8x6	5	600808TWP	8x8x60	45
061210WP	12x10x6	6	720808TWP	8x8x72	54
061212WP	12x12x6	10	121010TWP	10x10x12	12
061515WP	15x15x6	15	241010TWP	10x10x24	24
061616WP	16x16x6	16	361010TWP	10x10x36	36
061812WP	18x12x6	15	481010TWP	10x10x48	48
061818WP	18x18x6	18	601010TWP	10x10x60	60
062020WP	20x20x6	19	721010TWP	10x10x72	72
062424WP	24x24x6	35	961010TWP	10x10x96	84
063030WP	30x30x6	57	1201010TWP	10x10x120	120
063636WP	36x36x6	77	121212TWP	12x12x12	15
080808WP	8x8x8	9	241212TWP	12x12x24	30
081212WP	12x12x8	12	361212TWP	12x12x36	45
081818WP	18x18x8	22	481212TWP	12x12x48	60
082424WP	24x24x8	40	601212TWP	12x12x60	75
083030WP	30x30x8	60	721212TWP	12x12x72	90
083636WP	36x36x8	100	961212TWP	12x12x96	120
101212WP	12x12x10	3.5	1201212TWP	12x12x120	150
101818WP	18x18x10	24			
102424WP	24x24x10	45			
103030WP	30x30x10	62			
103636WP	36x36x10	95			
122424WP	24x24x12	50			
123030WP	30x30x12	70			
123636WP	36x36x12	124			

## RAIN TIGHT ENCLOSURES

### APPLICATION

Used as wiring boxes, junction boxes, pull boxes, and wireway.

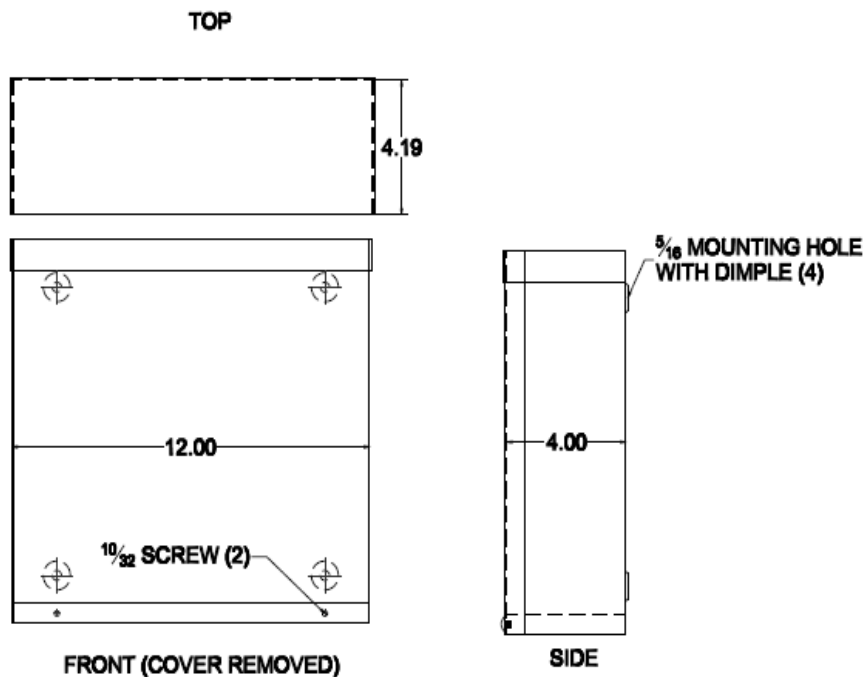
Type 3R enclosures are constructed for either indoor or outdoor use to provide protection to personnel against incidental contact with the enclosed equipment; to provide protection against falling dirt, rain, sleet, and snow; and will be undamaged by the external formation of ice on the enclosure (UL50 5.1.7, 2007).



Type 3R Rain Tight Screw Cover Box

### CONSTRUCTION

- Enclosure and cover are fabricated from galvanized steel.
- Enclosure body has embossed mounting holes on the back.
- Cover is held secure by sliding it under the top end flange and securing it with plated screws on the bottom end flange.



NEMA 3R Rain  
Tight Box

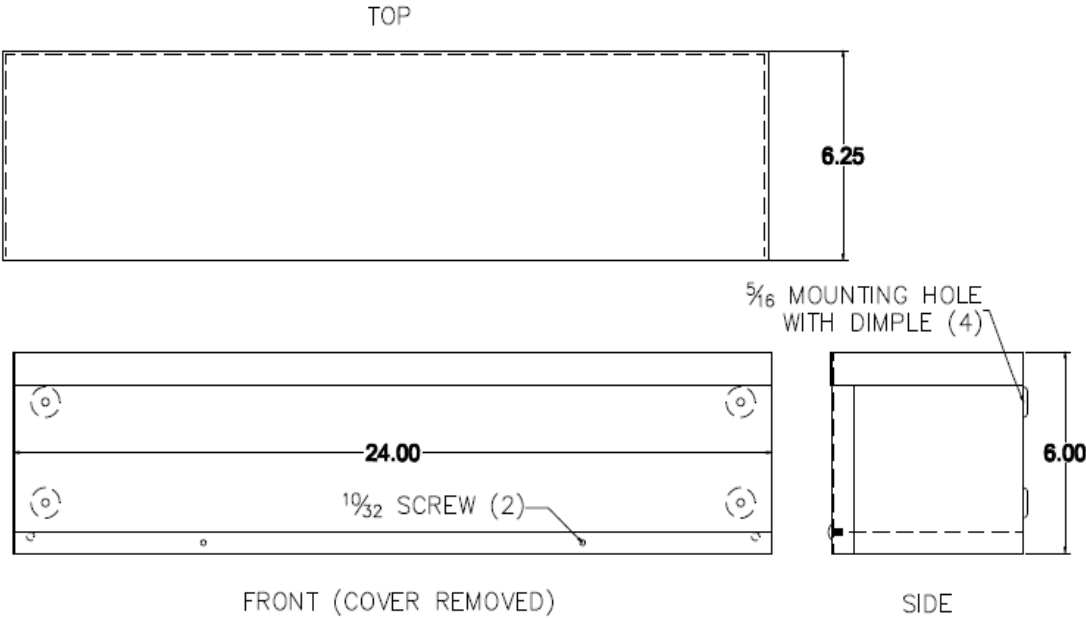
**RAIN TIGHT ENCLOSURES**

<b>RAIN-TIGHT SCREW COVER BOXES</b>		
<b>Catalog Number</b>	<b>Size</b>	<b>Weight</b>
040404RT	4x 4x 4	20
040606RT	6X6X4	33
040806RT	8X6X4	40
040808RT	8X8X4	25
041008RT	10X8X4	30
041010RT	10X10X4	33
041210RT	12X10X4	35
041212RT	12X12X4	43
060606RT	6x 6x 6	26
060808RT	8X8X6	18
061010RT	10X10X6	25
061210RT	12X10X6	25
061212RT	12X12X6	30
061812RT	18X12X6	30
061818RT	18X18X6	36
062418RT	24X18X6	28
062424RT	24x 24x 6	35
063030RT	30X30X6	57
081818RT	18x 18x 8	44
082418RT	24x 18x 8	33
082424RT	24x 24x 8	40
083030RT	30X30X8	80
083636RT	36X36X8	100
101818RTT	18x 18x 10	35
082418RT	24X18X10	40
102424RT	24x 24x 10	45
103018RT	30X18X10	48
103624RT	36X24X10	48
122424RT	24X24X12	50
123030RT	30x 30x 12	70
123624RT	36X24X12	80
123636RT	36X36X12	124

**RAIN TIGHT SCREW COVER TROUGH**



Type 3R Rain Tight Screw Cover Trough



NEMA 3R Rain Tight Trough

**RAIN TIGHT SCREW COVER TROUGH**

<b>RAIN TIGHT SCREW COVER TROUGH</b>		
<b>Catalog Number</b>	<b>Height, Width, Length (inches)</b>	<b>Weight</b>
120404RTT	4X4X12	4
240404RTT	4X4X24	8
360404RTT	4X4X36	12
480404RTT	4X4X48	16
600404RTT	4X4X60	20
720404RTT	4X4X72	24
960404RTT	4X4X96	35
120606RTT	6X6X12	6
240606RTT	6X6X24	12
360606RTT	6X6X36	18
480606RTT	6X6X48	24
600606RTT	6X6X60	30
720606RTT	6X6X72	36
960606RTT	6X6X96	55
1200606RTT	6X6X120	60
120808RTT	8X8X12	9
240808RTT	8X8X24	18
360808RTT	8X8X36	27
480808RTT	8X8X48	36
600808RTT	8X8X60	45
720808RTT	8X8X72	54
960808RTT	8X8X96	75
1200808RTT	8X8X120	90
121010RTT	10X10X12	12
241010RTT	10X10X24	24
361010RTT	10X10X36	36
481010RTT	10x10x48	48
601010RTT	10X10X60	60
721010RTT	10X10X72	72
961010RTT	10X10X96	84
1201010RTT	10X10X120	120
121212RTT	12X12X12	15
241212RTT	12X12X24	30
361212RTT	12X12X36	45
481212RTT	12X12X48	60
601212RTT	12X12X60	75
721212RTT	12X12X72	90
961212RTT	12X12X96	120
1201212RTT	12X12X120	150

## RAIN TIGHT HINGE COVER ENCLOSURES

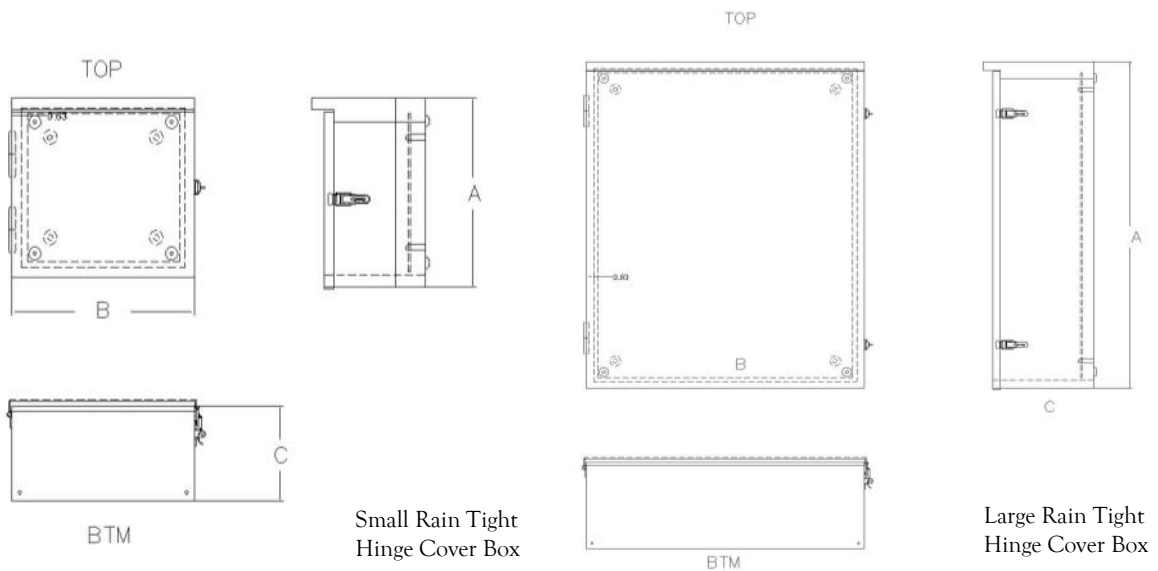
### APPLICATION

Used as wiring boxes, junction boxes, pull boxes, and wireway.

Type 3R enclosures are constructed for either indoor or outdoor use to provide protection to personnel against incidental contact with the enclosed equipment; to provide protection against falling dirt, rain, sleet, and snow; and will be undamaged by the external formation of ice on the enclosure (UL50 5.1.7, 2007).

### CONSTRUCTION

- Enclosure and cover are fabricated from galvanized steel.
- Enclosure body has embossed mounting holes on the back.
- Lid furnished with compression latch, with provisions for padlock.
- Optional hardware on page 10, available if specified.
- Stainless Steel hinges.
- Panel with mounting studs available if specified.



NEMA 3R Hinge Cover Rain Tight

All dimensions are in inches, (A" x B" x C")



<b>SMALL RAIN-TIGHT HINGE COVER BOXES</b>		
<b>Part #</b>	<b>Size</b>	<b>Weight</b>
040404HR	4 x 4 x 4	20
040606HR	6 x 6 x 4	33
040806HR	8 x 6 x 4	40
040808HR	8 x 8 x 4	25
041008HR	10 x 8 x 4	30
041010HR	10 x 10 x 4	33
041210HR	12 x 10 x 4	35
041212HR	12 x 12 x 4	43
060606HR	6 x 6 x 6	26
060808HR	8 x 8 x 6	18
061010HR	10 x 10 x 6	25
061210HR	12 x 10 x 6	25
061212HR	12 x 12 x 6	30
061812HR	18 x 12 x 6	30
061818HR	18 x 18 x 6	36

<b>LARGE RAIN-TIGHT HINGE COVER BOXES</b>		
<b>Part #</b>	<b>Size</b>	<b>Weight</b>
062418HR	24 x 18 x 6	28
062424HR	24 x 24 x 6	35
063030HR	30 x 30 x 6	57
081818HR	18 x 18 x 8	44
082418HR	24 x 18 x 8	33
082424HR	24 x 24 x 8	40
083024HR	30 x 24 x 8	50
083030HR	30 x 30 x 8	80
083624HR	36 x 24 x 8	90
083636HR	36 x 36 x 8	100
101818HR	18 x 18 x 10	35
102418HR	24 x 18 x 10	40
102424HR	24 x 24 x 10	45
103018HR	30 x 18 x 10	47
103624HR	36 x 24 x 10	48
122424HR	24 x 24 x 12	50
123024HR	30 x 24 x 12	60
123030HR	30 x 30 x 12	70
123624HR	36 x 24 x 12	80
123636HR	36 x 36 x 12	124

---

## CURRENT TRANSFORMER CABINETS

### APPLICATION

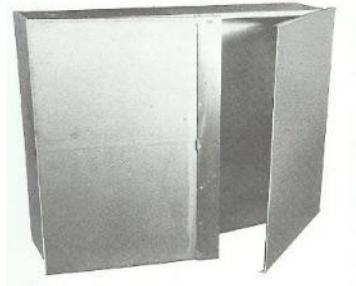
Designed to contain current transformers.

### CONSTRUCTION TYPE NEMA 1

- Enclosure and doors are fabricated from galvanized steel.
- Enclosure body furnished with mounting holes.
- Single or double door construction.
- Doors furnished with wing nuts and utility sealing hole.

### CONSTRUCTION TYPE NEMA 3R

- Enclosure and doors are fabricated form galvanized steel.
- Enclosure body furnished with mounting feet along top and bottom.
- Single or double door construction.
- Overlapping doors are furnished with pad-lockable 3pt. catch handle.
- 3/8 x 16 mounting studs furnished on enclosure body for current transformer mounting equipment.
- Top mounted drip shield protects against falling rain, sleet and external ice formation.
- Stands for pad mounting available.



Type 1 Double Door Current Transformer  
(CT) Cabinet

**CURRENT TRANSFORMER CABINETS**

**UTILITY AND SIZE TABLE**

Current Transformer Cabinets can be fabricated in special sizes and furnished with a variety of hardware. Contact factory for special requirements.

PECO Cabinets

<b>CURRENT TRANSFORMER CABINETS (CT) CABINETS INDOOR</b>		
<b>CATALOG #</b>	<b>SIZE (H" x W" x D")</b>	<b>WEIGHT</b>
101824CT	18 x 24 x 10 SINGLE DOOR 14 GA	37
102432CT	24x 32 x 10 DOUBLE DOOR 14 GA	65
103232CT	32 x 32 x 10 DOUBLE DOOR 14 GA	75
103242CT	32 x 42 x 10 DOUBLE DOOR 14 GA	175
124254CT	42 x 54 x 12 DOUBLE DOOR 14 GA	142

<b>NEMA 3R CT CABINETS OUTDOOR</b>		
<b>CATALOG #</b>	<b>SIZE (H" x W" x D")</b>	<b>WEIGHT</b>
182818N3R	28 x 18 x 15 SINGLE DOOR 14 GA	50
153530N3R	35 x 30 x 15 DOUBLE DOOR 14 GA	90
153540N3R	35 x 40 x 15 DOUBLE DOOR 14GA	103
154232N3R	42 x 32 x 15 DOUBLE DOOR 14 GA	120
154254N3R	42 x 54 x 15 DOUBLE DOOR 14 GA	184

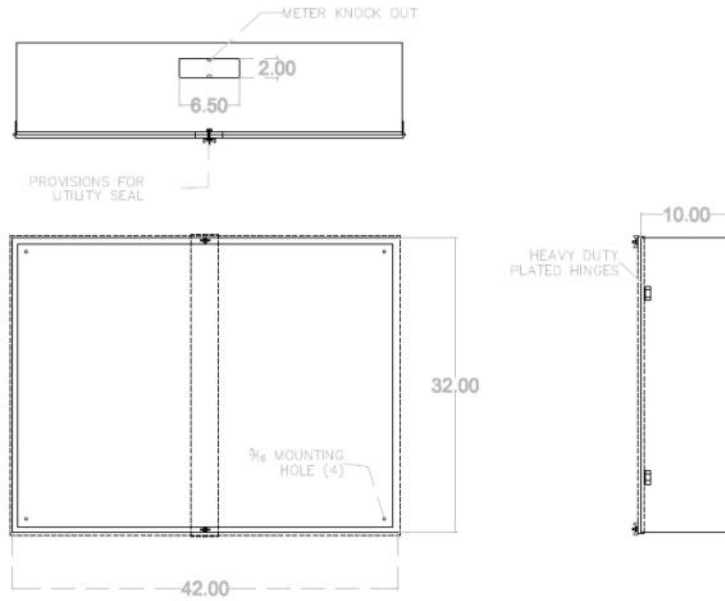
PP&L Cabinets.

<b>PP&amp;L CT CABINETS NEMA-1 (INDOOR)</b>		
<b>CATALOG #</b>	<b>SIZE (H" x W" x D")</b>	<b>WEIGHT</b>
123636CT	36" x 36" x 12	125
124848CT	48" x 48" x 12"	156
127248CT	72" x 48" x 12"	181

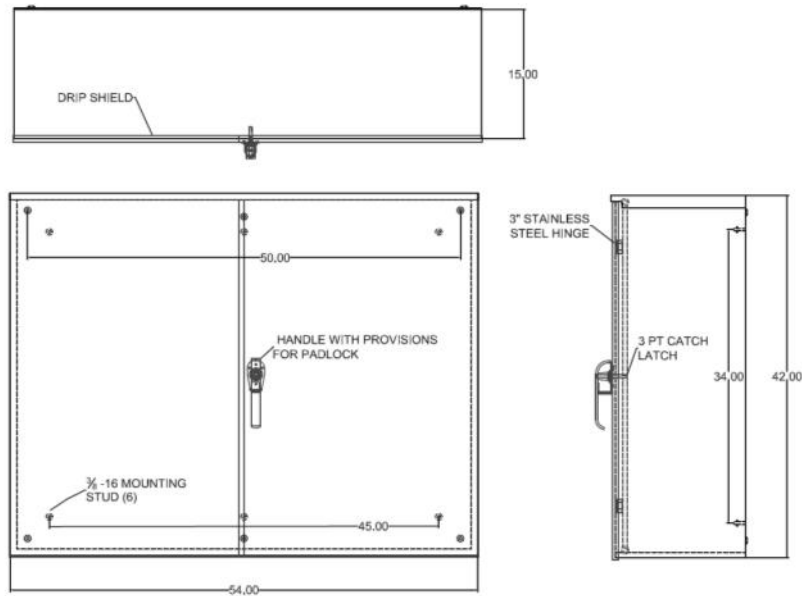
<b>P.P.&amp; L. CT CABINETS NEMA 3R (OUTDOOR)</b>		
<b>CATALOG #</b>	<b>SIZE (H" x W" x D")</b>	<b>WEIGHT</b>
123636N3R	36" x 36" x 12"	131
124848N3R	48" x 48"x 12"	162
127248N3R	72" x 48"x 12"	187

*All Dimensions are Height x Width x Depth.*

### CURRENT TRANSFORMER CABINETS



Type 1 Indoor CT Cabinet



Type 3R Outdoor CT Cabinet



[www.ksmetalenclosures.com](http://www.ksmetalenclosures.com)

---

## **K & S METAL ENCLOSURES**

873 EAST BALTIMORE PIKE #451  
KENNETT SQUARE , PA 19348

Phone: 610-998-1370

Fax: 610-998-1379

[www.ksmetalenclosures.com](http://www.ksmetalenclosures.com)

